

1 2 3 4 5 6 7 8

A

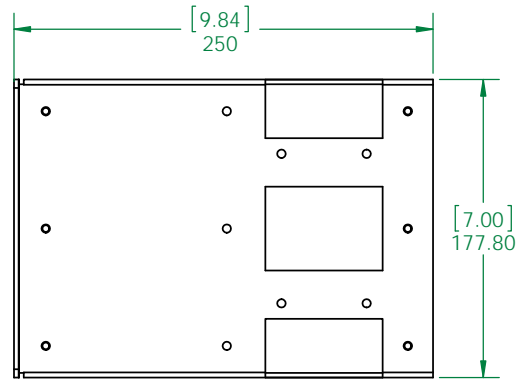
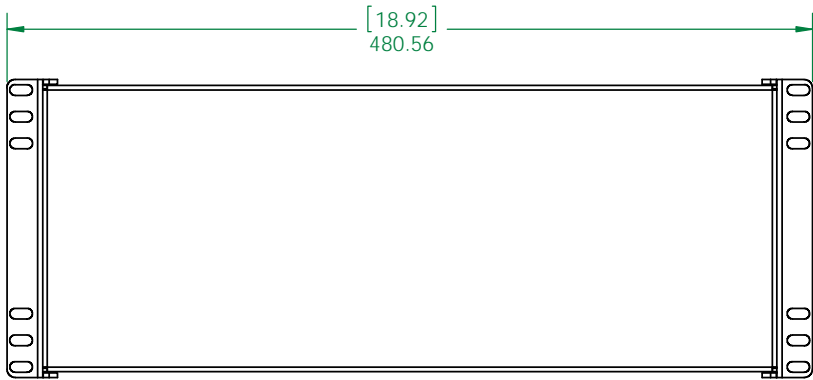
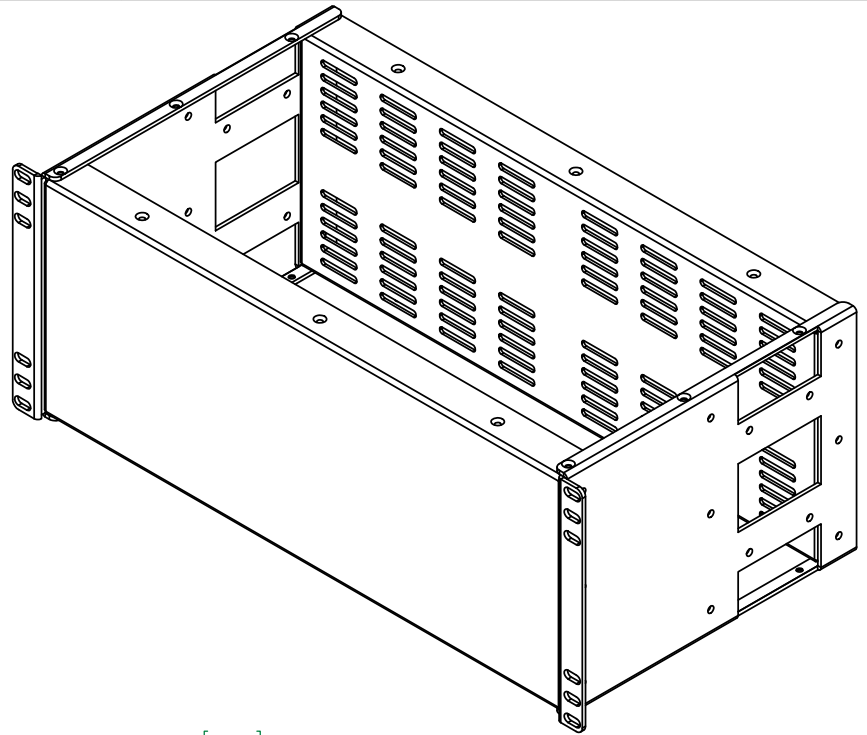
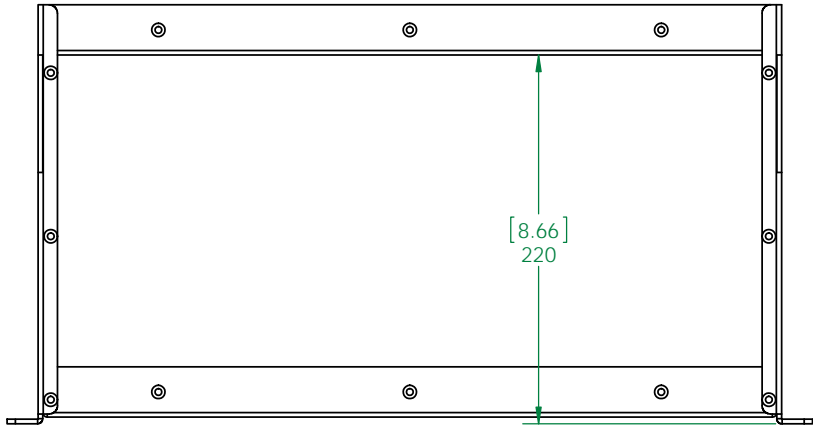
B

C

D

E

F



Note:  
 1. No sharp edges.  
 2. RoHS: Manufacturer must ensure that all components used must comply with RoHS Regulation.

<b>Industrial Automation &amp; Enclosures Inc</b> Industrial Enclosures expert TEL:(516)997-5050 FAX:(516)997-5784 ©2015 I.A.&E. Inc.	<b>PROJECT NO.</b>	<b>IRP10425-VS</b>	<b>DRAWN</b>		<b>MATERIAL</b>	<b>Cold Roll Steel 12/14 Gauge</b>	<b>UNSPECIFIED TOLERANCES: ±0.15</b>
	<b>MODEL</b>	<b>67625</b>	<b>APPV'D</b>	-----	<b>FINISH</b>	<b>e-Coat Black</b>	
	<b>PART NO.</b>	67625	<b>DATE</b>	7/30/2015	<b>SCALE</b>	1:5	<b>SHEET 1 OF 1</b>
	<b>PART NAME</b>	<b>4U Panel</b>	<b>REVISION</b>	V 1.0	<b>PROJECTION</b>	<b>Third Angle</b>	<b>UNIT:mm</b>

CONFIDENTIAL DOCUMENT DO NOT COPY