

1 2 3 4 5 6 7 8

A

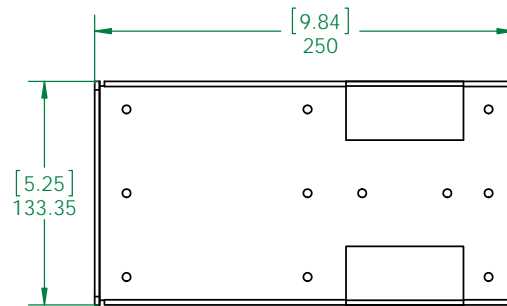
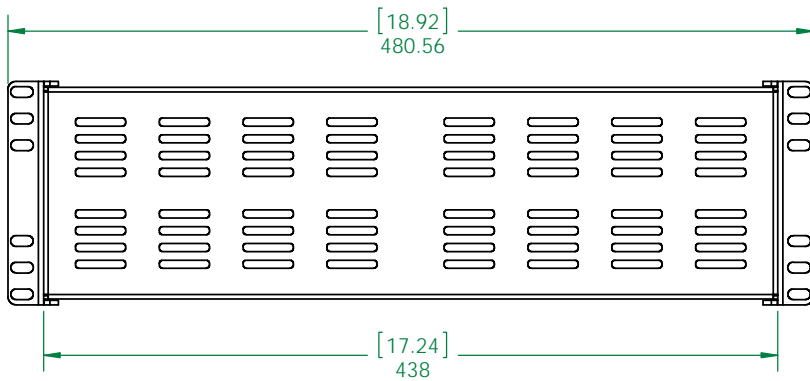
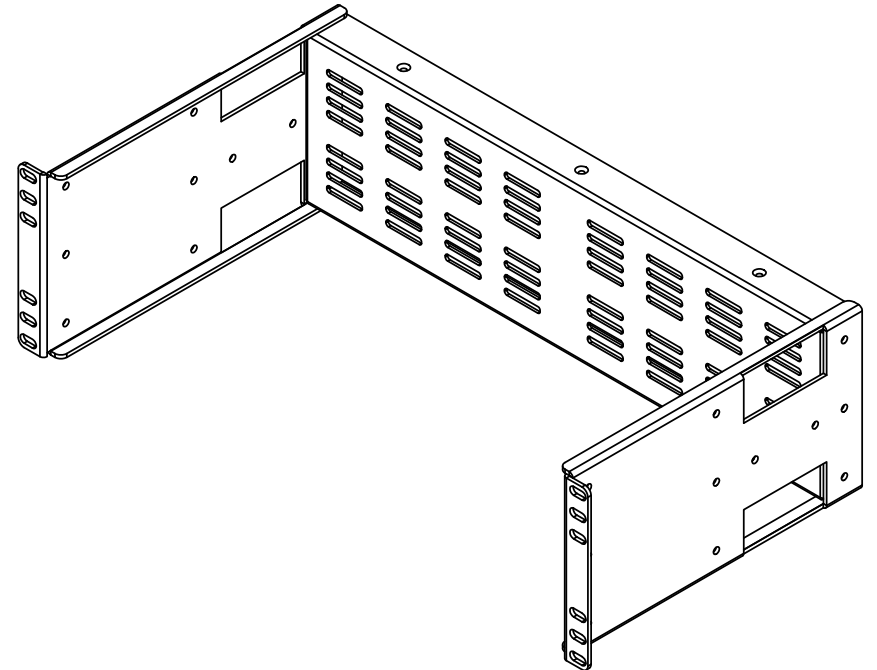
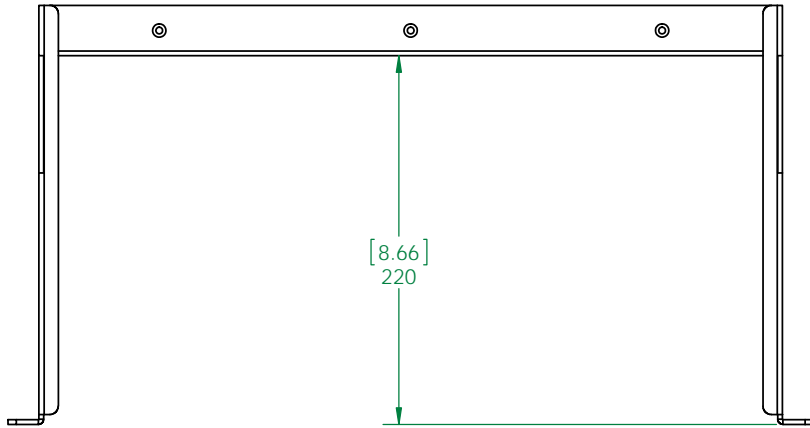
B

C

D

E

F



Note:
 1. No sharp edges.
 2. RoHS: Manufacturer must ensure that all components used must comply with RoHS Regulation.

Industrial Automation & Enclosures Inc
 Industrial Enclosures expert
 TEL: (516)997-5050 FAX: (516)997-5784
 ©2015 I.A.&E. Inc.

| | | | | | | |
|--------------------|------------------------|-----------------|-----------------|-------------------|------------------------------------|--------------------------------------|
| PROJECT NO. | IRP10325V | DRAWN | | MATERIAL | Cold Roll Steel 12/14 Gauge | UNSPECIFIED TOLERANCES: ±0.15 |
| MODEL | | APPV'D | ----- | FINISH | e-Coat Black | |
| PART NO. | | DATE | 8/2/2015 | SCALE | 1:5 | SHEET 1 OF 1 |
| PART NAME | 3U Vented Panel | REVISION | V 1.0 | PROJECTION | Third Angle | UNIT:mm |

CONFIDENTIAL DOCUMENT DO NOT COPY