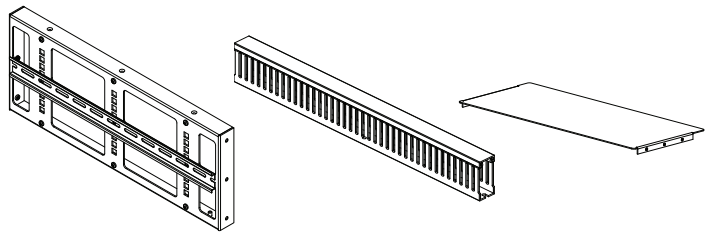
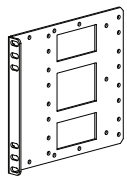


# IRP208DB-4U 4U DIN Rail Panel Installation

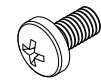
## Included in this package



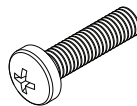
(1) 4U Main Panel (2) PVC Wire Ducts (2) Cover Panels



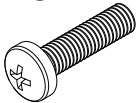
(2) 4U Ear Brackets



(24) M4 x 8 Screws



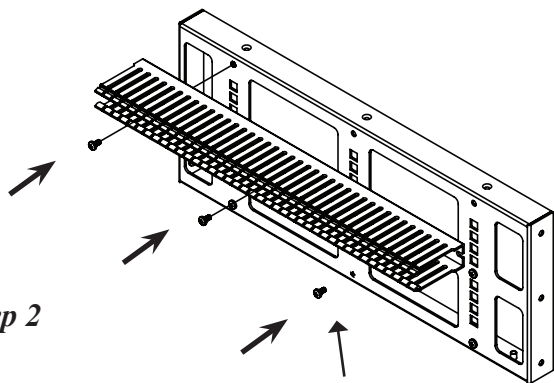
(4) #10-32 x 5/8 Rack Screws



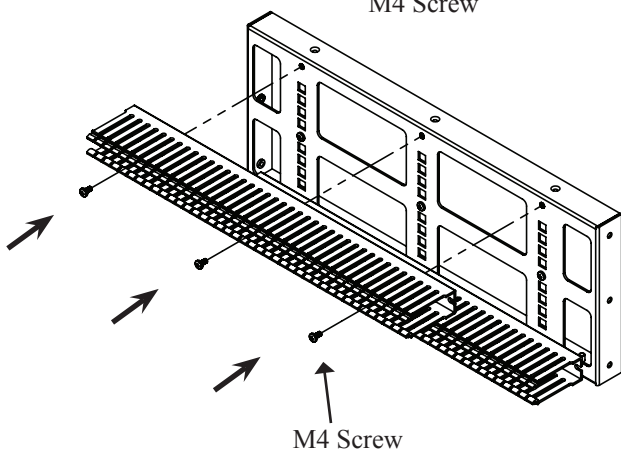
(4) #12-24 x 5/8 Rack Screws

## Installation Steps

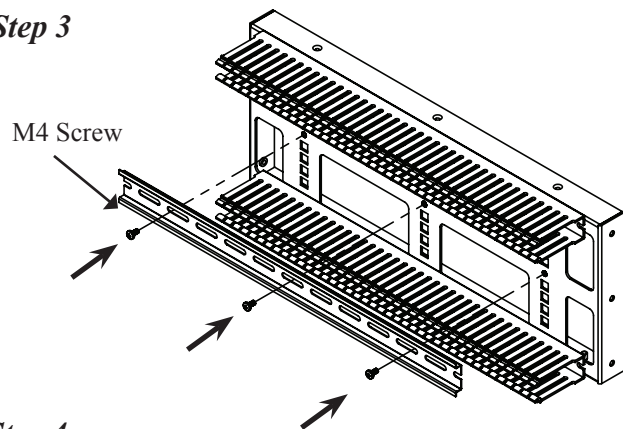
### Step 1



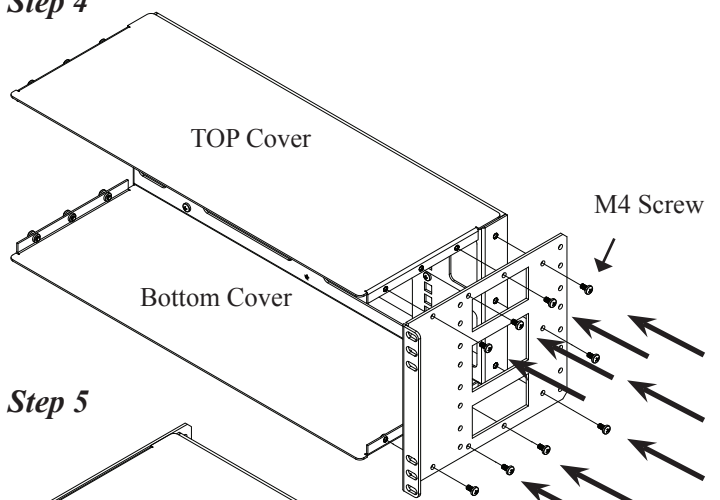
### Step 2



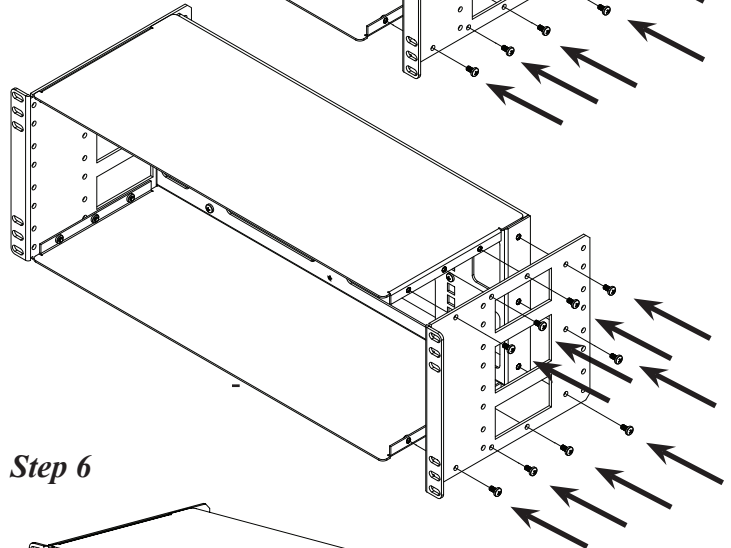
### Step 3



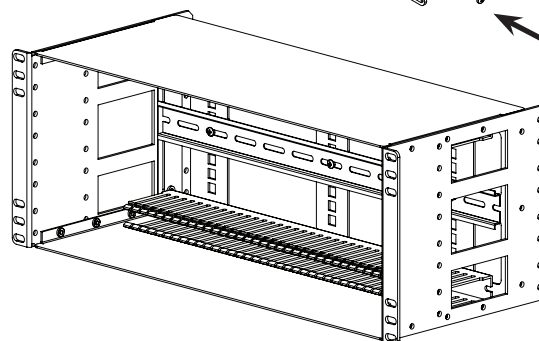
### Step 4



### Step 5



### Step 6



Assembly Complete.