

1 2 3 4 5 6 7 8

A

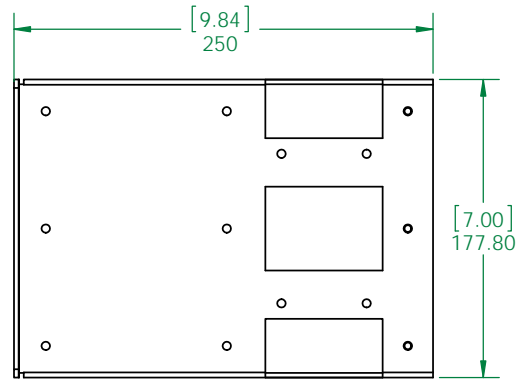
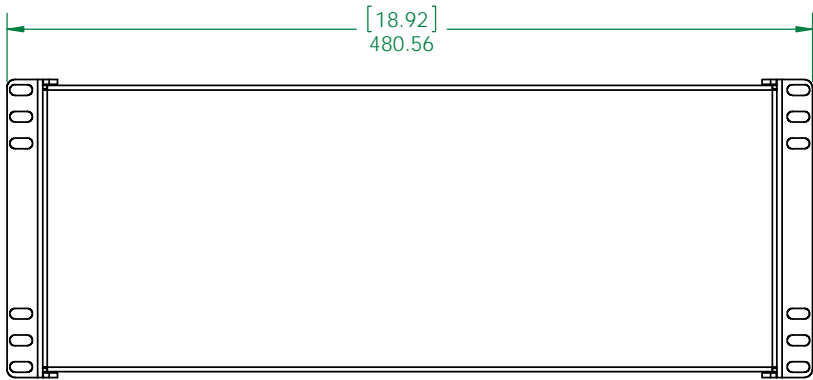
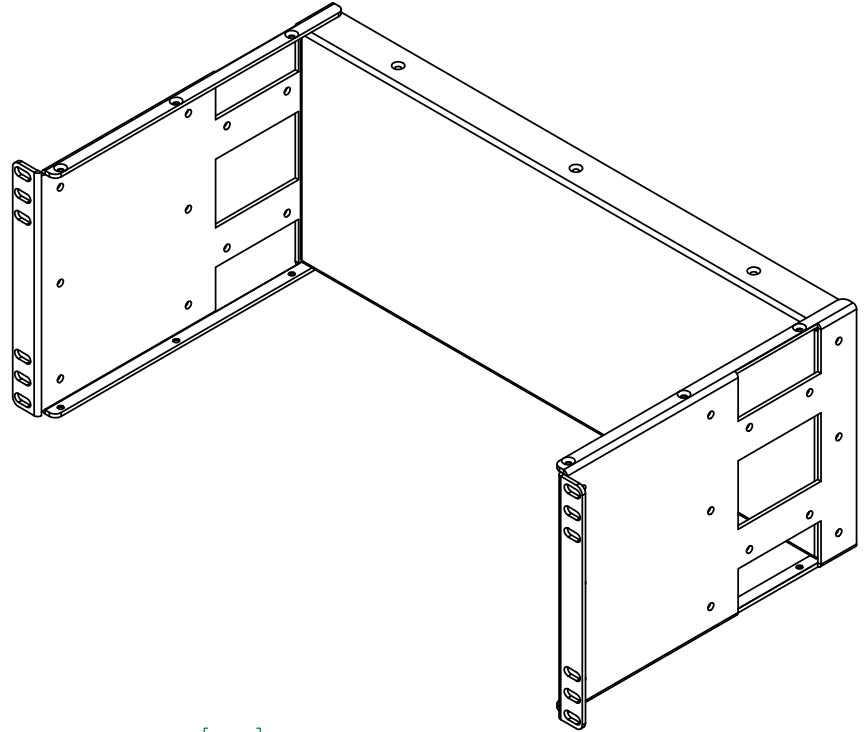
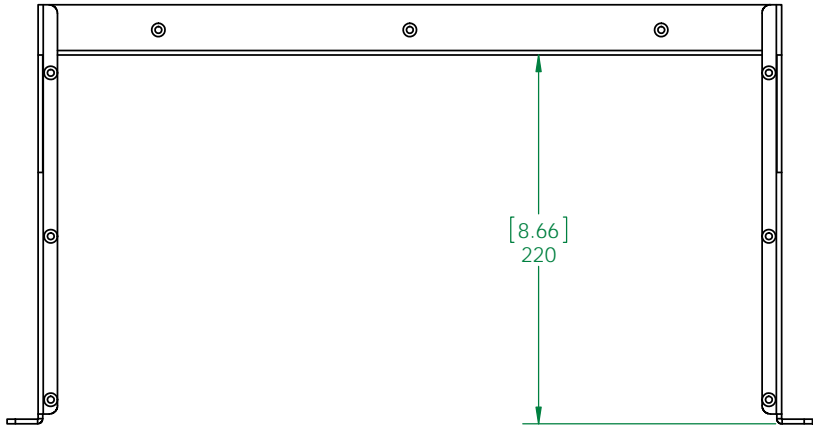
B

C

D

E

F



Note:
1. No sharp edges.
2. RoHS: Manufacturer must ensure that all components used must comply with RoHS Regulation.

Industrial Automation & Enclosures Inc
Industrial Enclosures expert
TEL:(516)997-5050 FAX:(516)997-5784
©2015 I.A.&E. Inc.

PROJECT NO.	IRP10425-S	DRAWN		MATERIAL	Cold Roll Steel 12/14 Gauge	UNSPECIFIED TOLERANCES: ±0.15
MODEL	67625	APPV'D	-----	FINISH	e-Coat Black	
PART NO.	67625	DATE	7/30/2015	SCALE	1:5	SHEET 1 OF 1
PART NAME	4U Panel	REVISION	V 1.0	PROJECTION	Third Angle	UNIT:mm

CONFIDENTIAL DOCUMENT DO NOT COPY