

IRP1-0625DS 6U Rackmount Solid and Din rail Installation

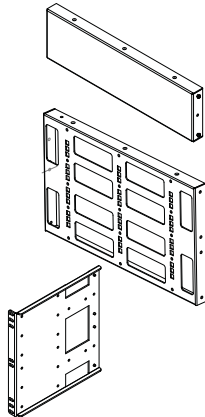


Included in this package

(2) 3U Solid/Vented Panel

(1) 6U Din Rail Panel w/ (2) Din Rail and (2) PVC Wire duct.

(2) Ear Bracket



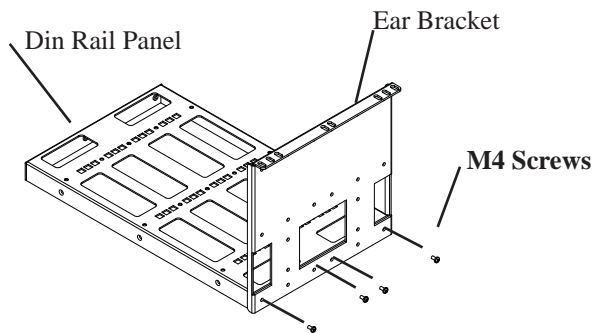
(32) M4 x 8 Screws

(8) #10-32 x 5/8 Screws

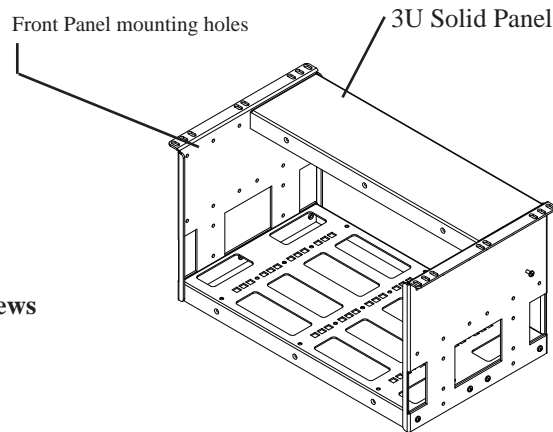
(8) #12-24 x 5/8 Screws



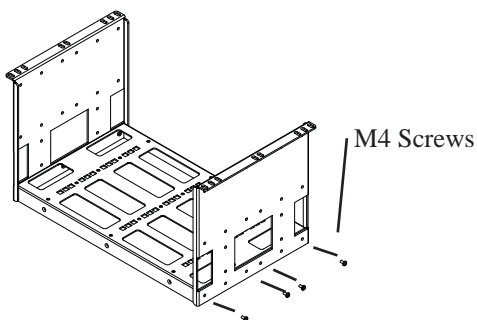
Installation Steps



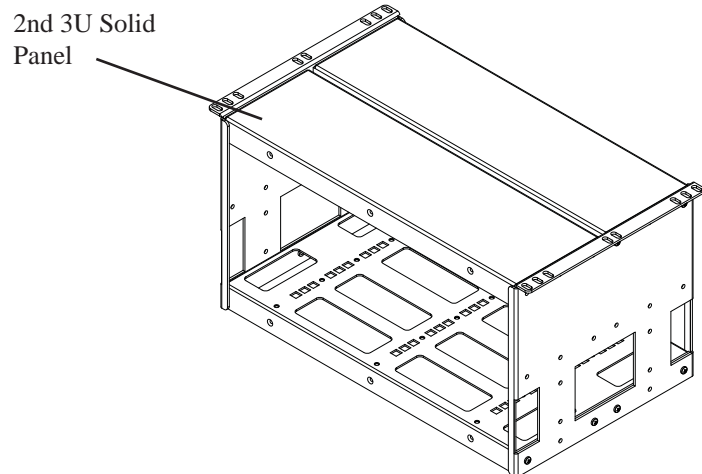
- 1 Place panel on flat surface. Place ear bracket next to din rail panel. Align (4) M4 screws with screw holes on right side of panel as illustration above.



- 3 Place Solid panel as show in the illustration above. Align mounting holes on right side panel with front panel mounting holes. Secure ear bracket to solid panel with (2) M4 screws. Follow the same process with left hand side for installing mounting screws..



- 2 Repeat Step 1 for left hand side ear bracket . Secure (4) M4 screws.



- 4 Place 2nd 3U solid panel as show in the illustration above. Following step 3 for installation mounting screws for right and left hand side.

Assembly Complete