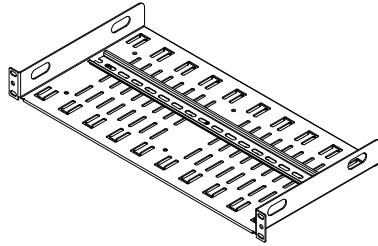


IRP20123S11 1U Din Rail Shelf Installation

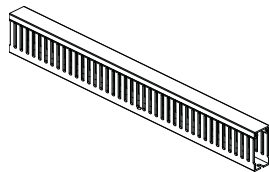


Included in this package

(1) 1U Din Rail Shelf



(1) PVC Wire Duct



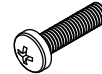
(3) M4 x 8 Screws



(3) M4 Hex Nuts



(4) #12-24 x 5/8 Rack Screws

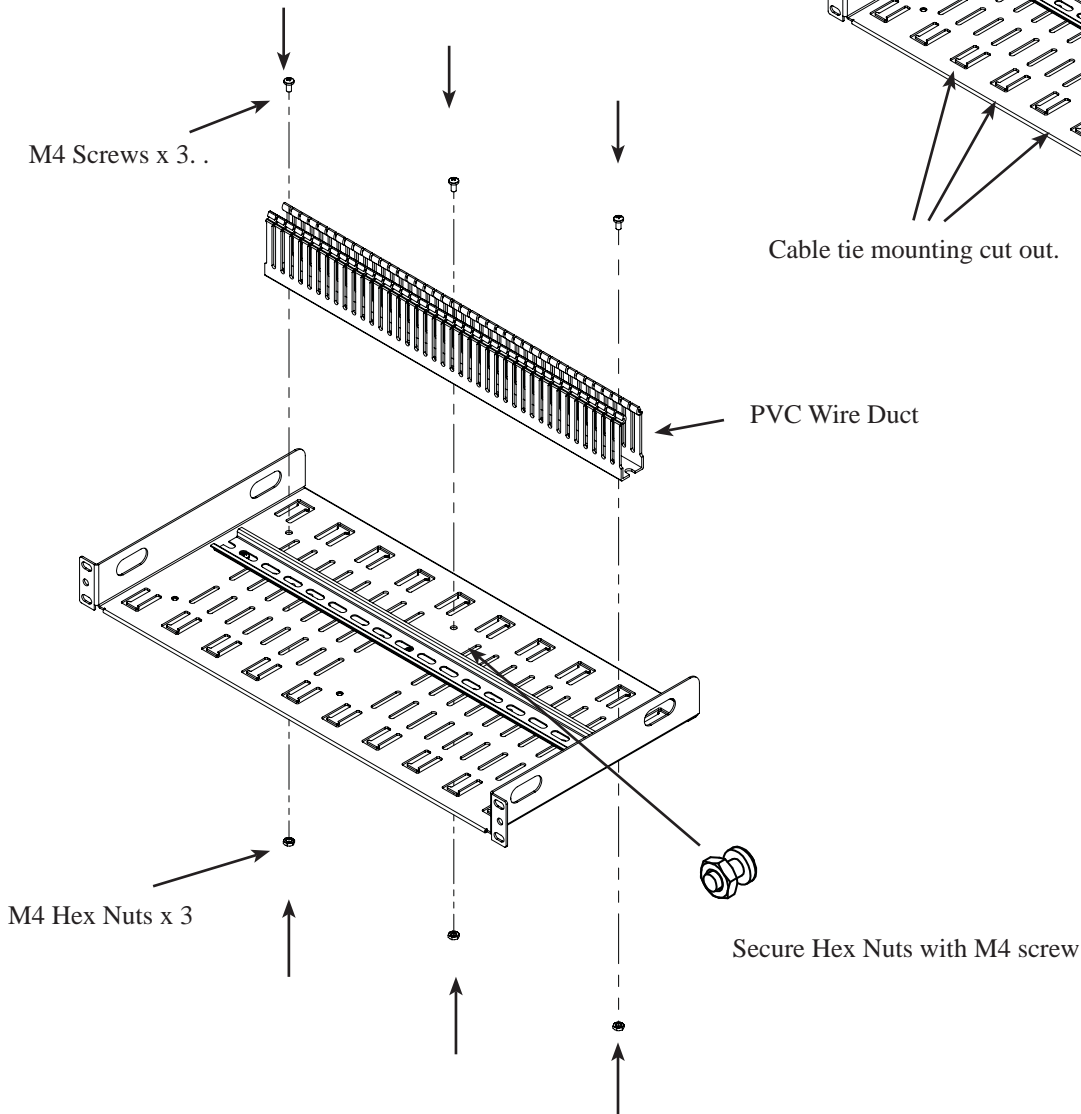


(4) #10-32 x 5/8 Rack Screws

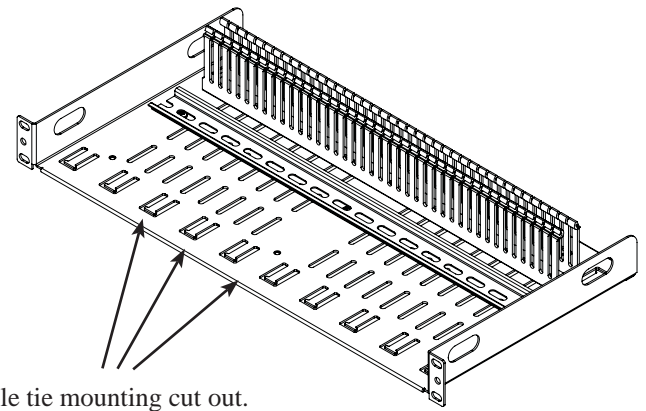


Installation Steps

Step 1 Install PVC Wire Duct



Step 2



Assembly Complete.