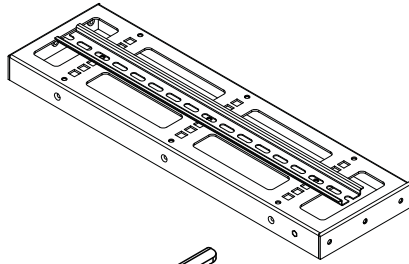


IRP201D4/6/8/10 1U DIN Rail Shelf Installation

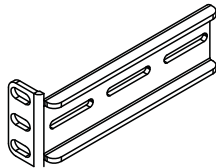


Included in this package

(1) Din Rail Panel .



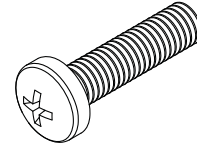
(2) 1U Ear Bracket



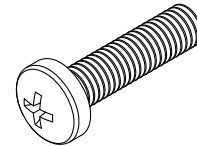
(4) M4 x 8 Screws



(4) #10-32 x 5/8 Rack Screws

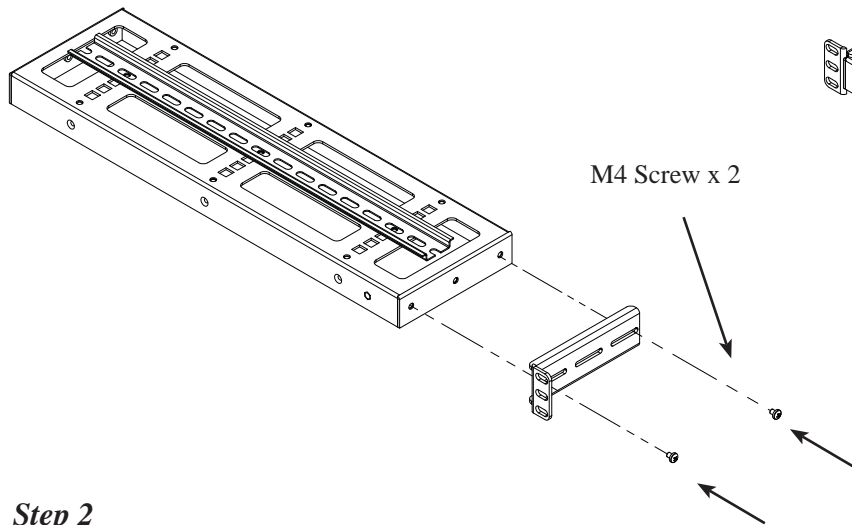


(4) #12-24 x 5/8 Rack Screws

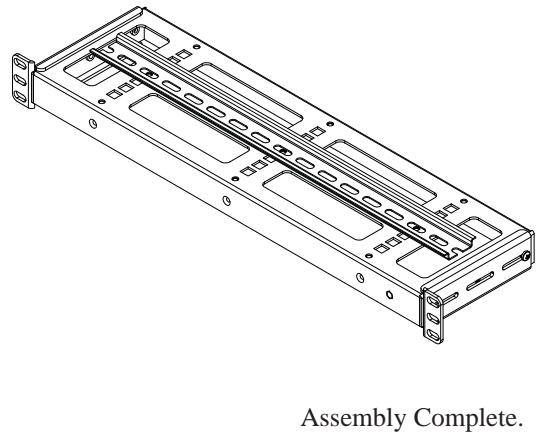


Installation Steps

Step 1



Step 3



Step 2

