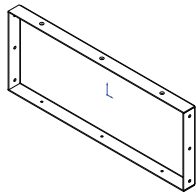


IRP208SB-4U 4U DIN Rail Panel Installation

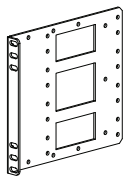
Included in this package



(1) 4U Blank Panel



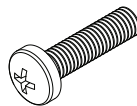
(2) Cover Panels



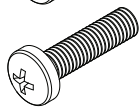
(2) 4U Ear Brackets



(18) M4 x 8 Screws

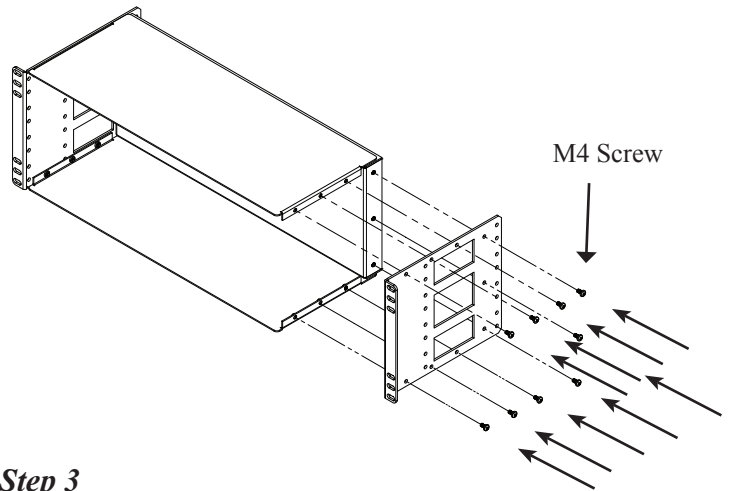


(4) #10-32 x 5/8 Rack Screws

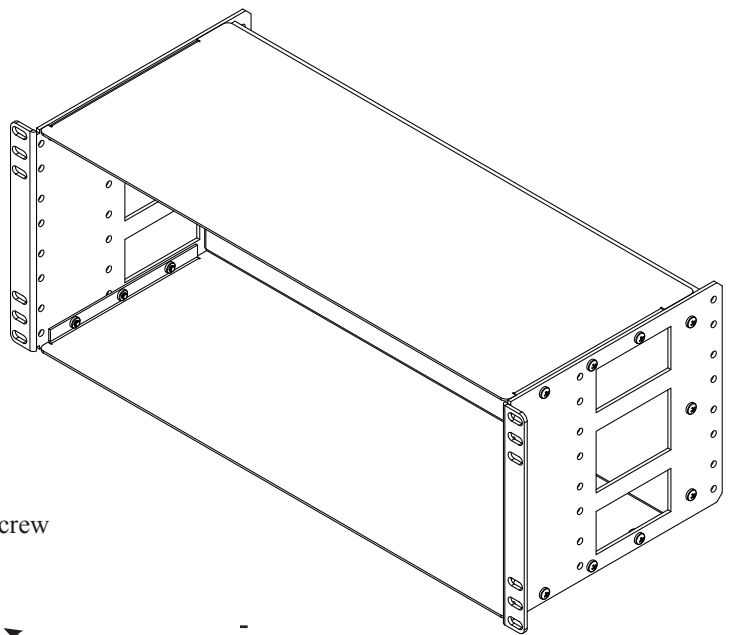


(4) #12-24 x 5/8 Rack Screws

Step 2



Step 3



Assembly Complete.

Installation Steps

Step 1

