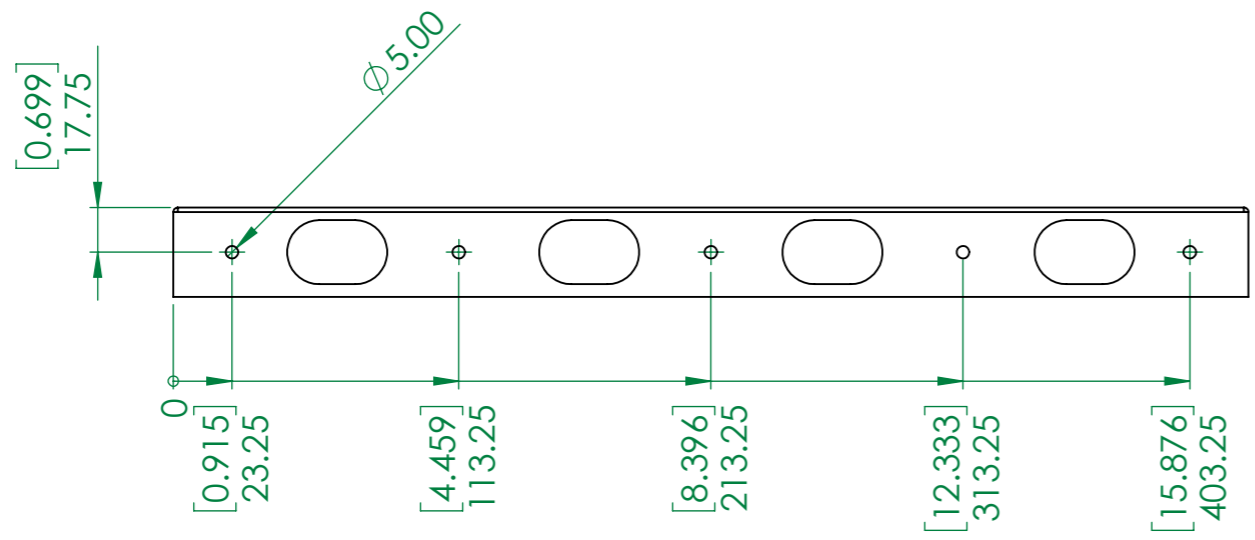
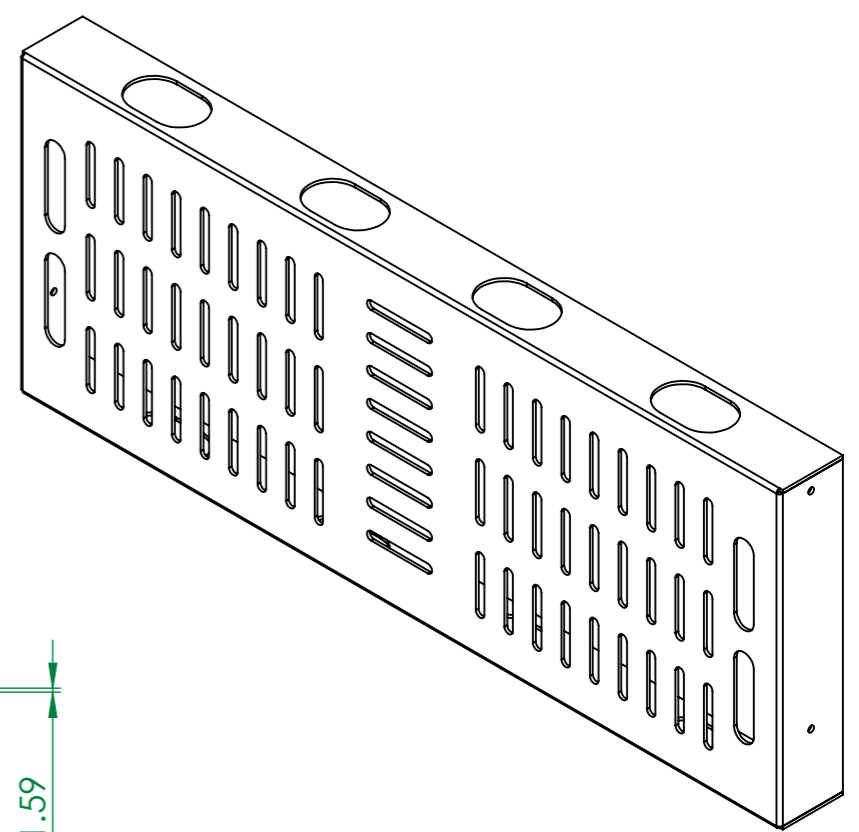
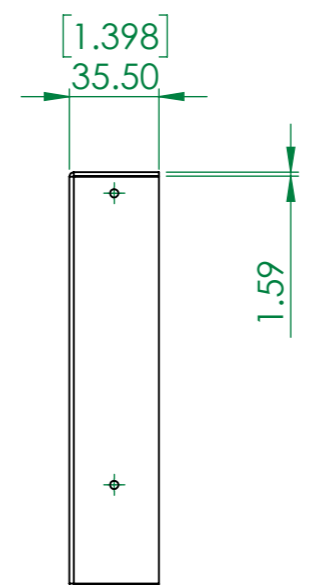
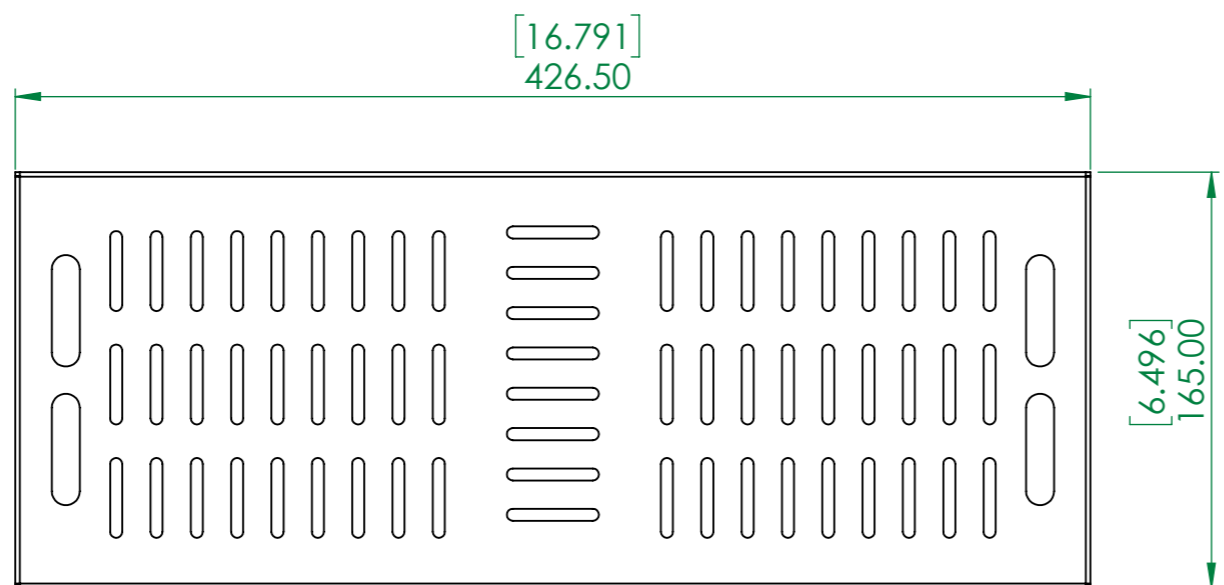
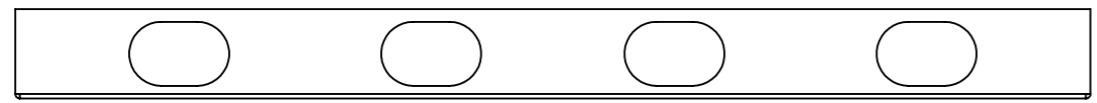


1 2 3 4 5 6 7 8

A
B
C
D
E
F



Note:
 1. No sharp edges.
 2. RoHS: Manufacturer must ensure that all components used must comply with RoHS Regulation.

| | | | | | | | |
|---|------------------|---------------|---------------|-----------|-----------------|---------------------|----------------------------------|
| Industrial Automation & Enclosures A leading developer of industrial rackmount products TEL:(516)997-5050 FAX:(516)997-5784 ©2016 IAE Inc /www.iaenclosures.com | MODEL | 67761-00-002 | APPV'D | | REVISION | V 1.000000 | UNSPECIFIED TOLERANCES: ± |
| | PART NO. | 67761-00-002 | DATE | 4/20/2022 | FINISH | Black E-Coat Finish | |
| | PART NAME | 1U Rear Panel | | | SCALE | 1:5 | SHEET 1 OF 1 |
| | | | | | MATERIAL | 16 Gauge Steel | UNIT:mm |

CONFIDENTIAL DOCUMENT DO NOT COPY