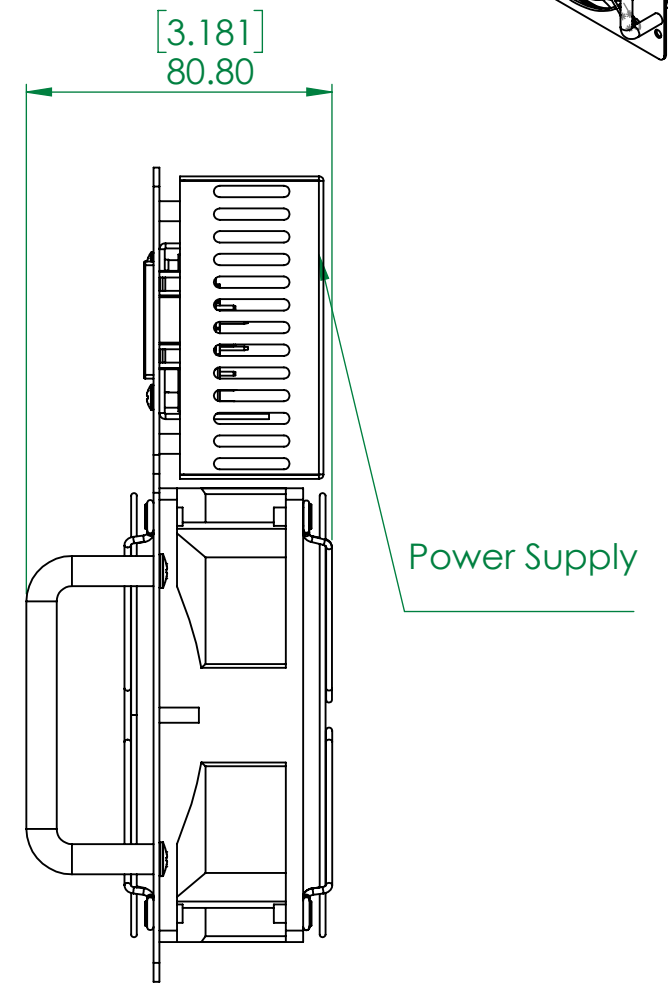
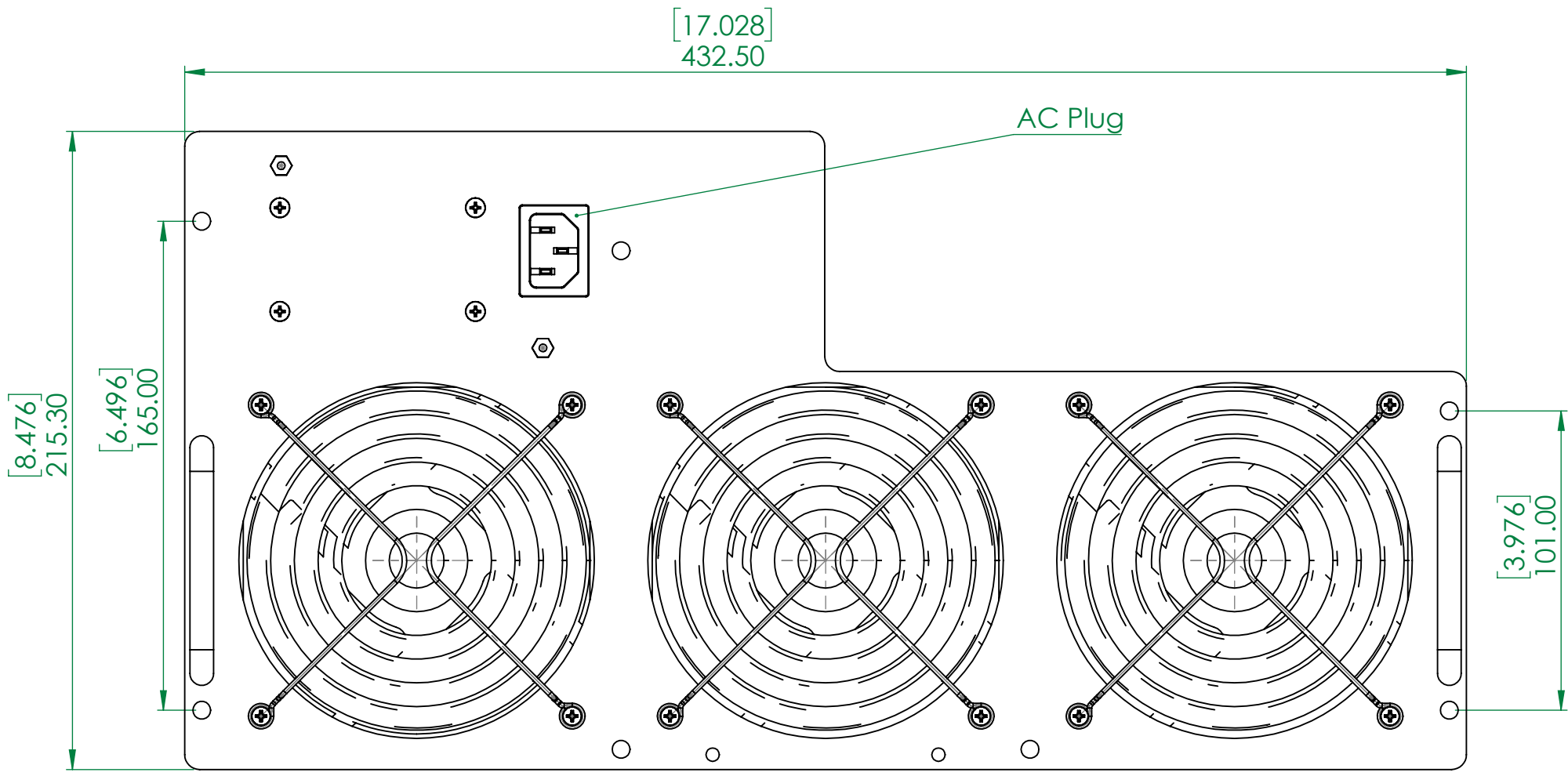
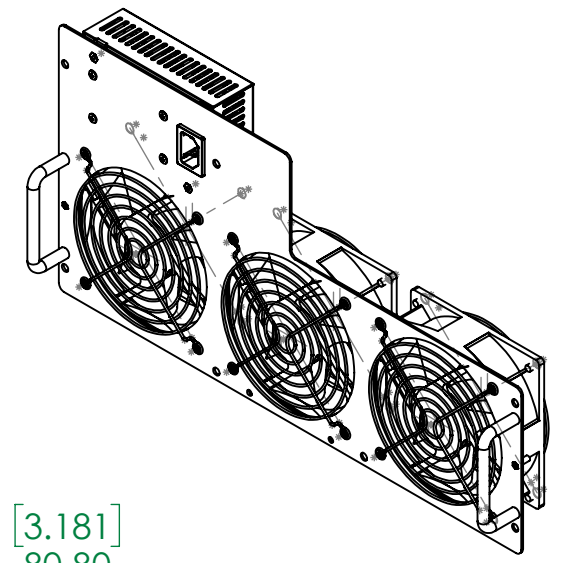
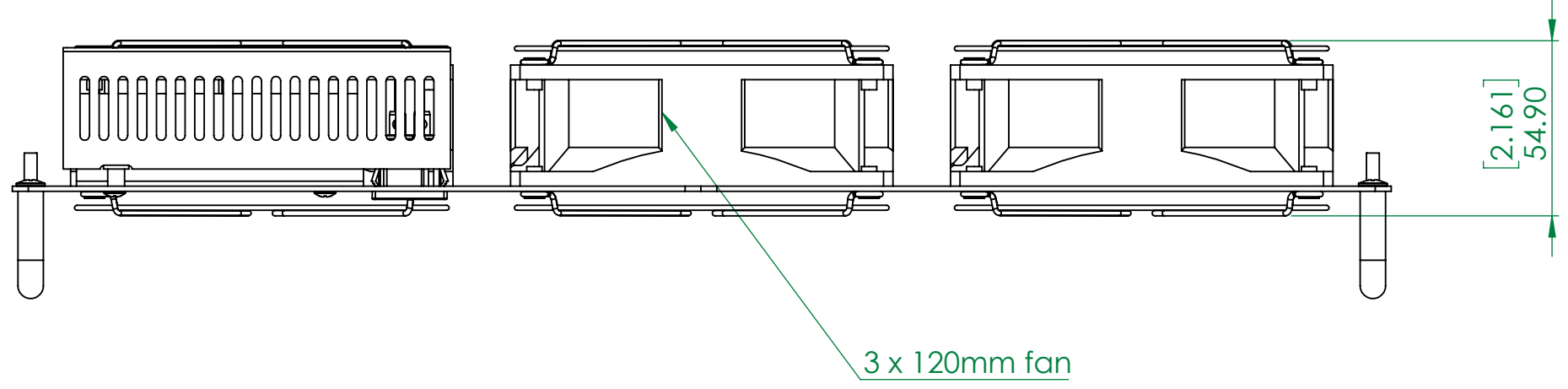


1 2 3 4 5 6 7 8

A
B
C
D
E



Note:
 1. No sharp edges.
 2. RoHS: Manufacturer must ensure that all components used must comply with RoHS Regulation.

Industrial Automation & Enclosures A leading developer of industrial rackmount products TEL:(516)997-5050 FAX:(516)997-5784 ©2016 IAE Inc /www.iaenclosures.com	MODEL	ATXBLADE-H-3FAN	APPV'D		REVISION	V 1.00000	UNSPECIFIED TOLERANCES: ±
	PART NO.		DATE	8/18/2021	FINISH	Black Powder Paint	SHEET 1 OF 1
	PART NAME	3 x 120mm Fan Tray			SCALE	1:5	UNIT:mm
					MATERIAL	14 Gauge Steel	

CONFIDENTIAL DOCUMENT DO NOT COPY